

### Description

LENTON FORM SAVER Dowel Bar Replacements are typically specified to provide continuity and structural integrity in segmental pour applications for reinforced concrete construction. The coupler/bar assembly is furnished with an attached mounting plate.\* The assembly is, in turn, nailed to the formwork. Once the form is removed, the externally threaded rebar is screwed into the exposed end of the coupler, creating a mechanical butt splice of two sections of reinforcing steel (approximately 4-1/2 revolutions).

### Splice Performance

LENTON FORM SAVER splices outperform dowel bars because of their ability to develop strength requirements independent of concrete cover and provide superior performance well beyond the yield strength of the reinforcing bar.

The assembled connection is capable of exceeding the ACI®, BS, DIN, KIWA and IBC® (IAPMO®-UES Report 0129) Building Code requirements for a full-tension mechanical splice. Contact Pentair for specific Department of Transportation approvals. For a copy of the IAPMO-UES Report 0129, please visit [www.erico.pentair.com](http://www.erico.pentair.com).

# LENTON FORM SAVER

## DOWEL BAR SUBSTITUTE

### Typical Applications

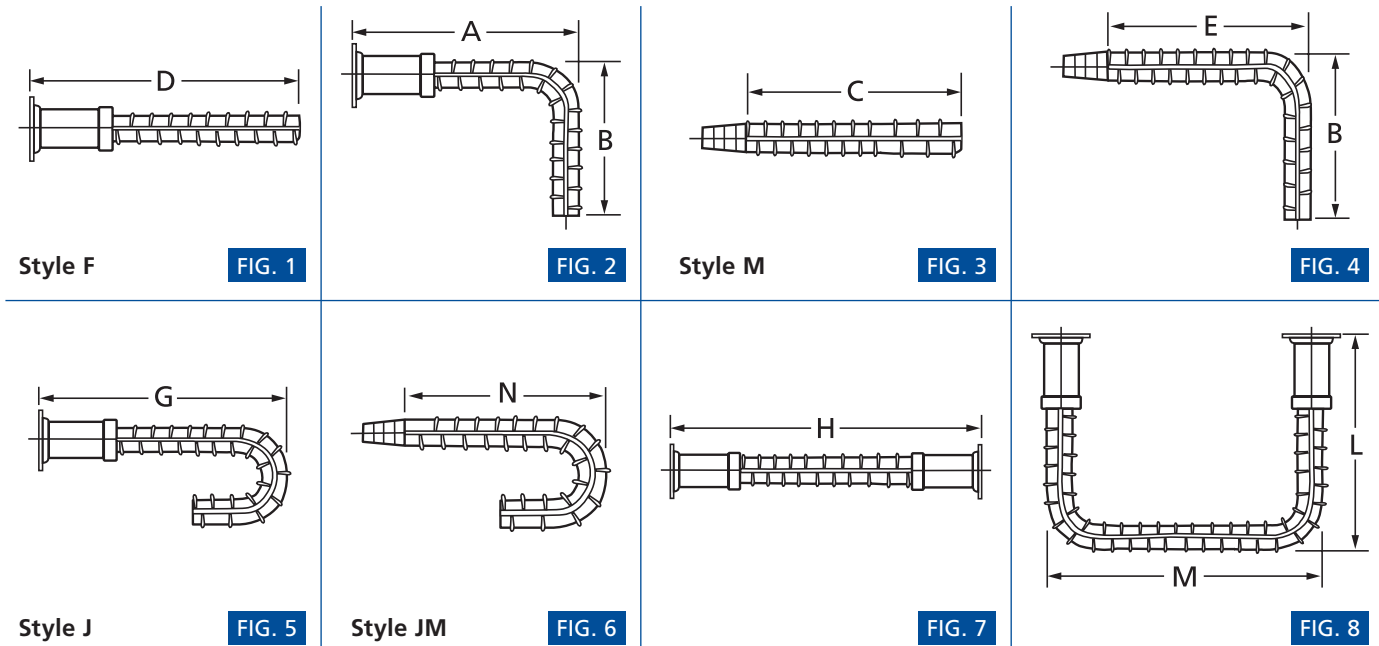
#### New Reinforced Concrete Construction:

- Segmental Pours – positioned within the form of the first pour to allow fastening prior to the second pour.
- Beam/Column Connection – a bent LENTON FORM SAVER is positioned in the column to structurally join the column.
- Future Extension – embedded within the concrete to structurally join the bar at a future date.

#### Masonry:

- Reinforced Masonry Applications – replaces lap splices in CMU

LENTON FORM SAVER is available in sizes #4 – #11 (Metric sizes 12 mm through 36 mm) factory standard sizes (lengths) or in custom lengths. Unique bend configurations are also available.



#### WARNING

Pentair products shall be installed and used only as indicated in Pentair's product instruction sheets and training materials. Instruction sheets are available at [www.erico.pentair.com](http://www.erico.pentair.com) and from your Pentair customer service representative. Improper installation, misuse, misapplication or other failure to completely follow Pentair's instructions and warnings may cause product malfunction, property damage, serious bodily injury and/or death, and void your warranty.

ACI is a registered trademark of the American Concrete Institute.

IAPMO is a registered trademark of the International Association of Plumbing & Mechanical Officials.

IBC is a registered trademark of the International Code Council, Inc.

© 2005, 2013, 2015 Pentair All Rights Reserved

Pentair, CADDY, CADWELD, CRITEC, ERICO, ERIFLEX, ERITECH and LENTON are owned by Pentair or its global affiliates. All other trademarks are the property of their respective owners. Pentair reserves the right to change specifications without prior notice.

Phone: 800-248-2677

Fax: 800-462-4712

[www.erico.pentair.com](http://www.erico.pentair.com)



C11765-WWEN C960LT13WWEN WB1113